

PLEASE CHECK WWW.MOLEX.COM FOR LATEST PART INFORMATION

Part Number: [0190160099](#)
Status: **Active**
Description: Krimptite™ Quick Disconnect, Female, for 24-26 (0.20-0.12) Wire, Box, Tab 4.75mm (.187") x 0.81mm (.032")

Documents:

[Drawing \(PDF\)](#) [RoHS Certificate of Compliance \(PDF\)](#)

General

Product Family	Quick Disconnects
Series	19016
Comments	Butted Seam
Crimp Quality Equipment	Yes
Product Name	Krimptite™
Type	Quick Disconnect

Physical

Barrel Type	Closed
Gender	Female
Glow-Wire Compliant	No
Insulation	None
Lock to Mating Part	None
Material - Metal	Brass
Material - Plating Mating	Tin
Material - Plating Termination	Tin
Orientation	Straight
Packaging Type	Bag
Plating min: Mating (µin)	100
Plating min: Mating (µm)	2.5
Plating min: Termination (µin)	100
Plating min: Termination (µm)	2.5
Polarized to Mating Part	No
Tab Thickness	0.81mm (.032")
Tab Width	4.75mm (.187")
Temperature Range - Operating	Per Wire Specification
Termination Interface: Style	Crimp or Compression
Wire Size AWG	24, 26
Wire Size mm²	0.12 - 0.20

Electrical

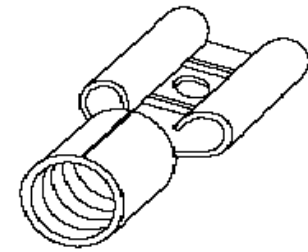
Voltage - Maximum	Per Wire Specification
-------------------	------------------------

Material Info

Old Part Number	M-1136-032
-----------------	------------

Reference - Drawing Numbers

Sales Drawing	SD-19016-004
---------------	--------------



*Series
image - Reference only*

EU RoHS

**ELV and RoHS
Compliant**
**REACH SVHC
Contains SVHC: No**
**Halogen-Free
Status**

China RoHS



Not Reviewed

**Need more information on product
environmental compliance?**

Email productcompliance@molex.com
 For a multiple part number RoHS Certificate of Compliance, [click here](#)

Please visit the [Contact Us](#) section for any non-product compliance questions.

Search Parts in this Series

19016Series

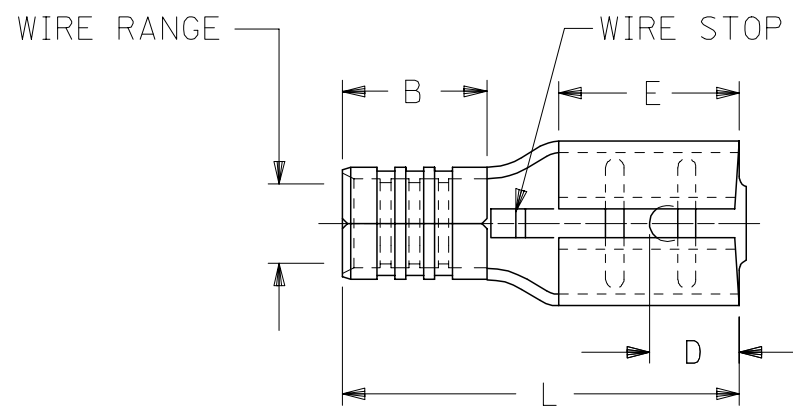
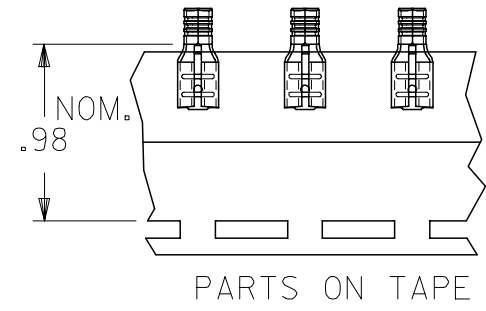
Application Tooling | [FAQ](#)

Tooling specifications and manuals are found by selecting the products below. Crimp Height Specifications are then contained in the Application Tooling Specification document.

Global

Description	Product #
Hand Crimp Tool	0640030400
Crimp Head for the AT-200™ Pneumatic Hand Tool	0640070400

	13	12	11	10	9	8	7	6	5	4	3	2	1
	MATERIAL NO. LOOSE PIECE	ENGINEERING NO.	MATERIAL NO. TAPE MOUNTED	ENGINEERING NO.	WIRE RANGE AWG	MM ²	FITS MALE TAB SIZE	L MAX	B ±.01/.3	W MAX	D ±.01/.3	H ±.01/.3	E NOM
J	190160085	P-1142	190160086	P-1142T	14-12	1.65-4.2	.250x.032	.66/16.8	.190/4.83	.30/7.6	.156/3.96	.103/2.62	.31/7.9
	190160099	M-1136-032	190160144	M-1136-032T	26-24	0.1-0.3	.187x.032	.55/14.0	.156/3.96	.24/6.1	.125/3.18	.103/2.62	.25/6.4
	190160006	AA-1137-032	190160007	AA-1137-032T	22-18	0.25-1.3	.187x.032	.58/14.7	.200/5.08	.24/6.1	.125/3.18	.103/2.62	.25/6.4
	190160040	BB-1138-032	190160041	BB-1138-032T	16-14	1.0-2.6	.187x.032	.58/14.7	.200/5.08	.24/6.1	.125/3.18	.103/2.62	.25/6.4
I	190160082	P-1139-032	190160083	P-1139-032T	14-12	1.65-4.2	.187x.032	.58/14.7	.200/5.08	.24/6.1	.125/3.18	.103/2.62	.25/6.4
	190160098	M-1136	190160100	M-1136T	26-24	0.1-0.3	.187x.020	.55/14.0	.156/3.96	.24/6.1	.125/3.18	.086/2.18	.25/6.4
	190160005	AA-1137	190160008	AA-1137T	22-18	0.25-1.3	.187x.020	.58/14.7	.200/5.08	.24/6.1	.125/3.18	.086/2.18	.25/6.4
	190160039	BB-1138	190160042	BB-1138T	16-14	1.0-2.6	.187x.020	.58/14.7	.200/5.08	.24/6.1	.125/3.18	.086/2.18	.25/6.4
	190160081	P-1139	190160084	P-1139T	14-12	1.65-4.2	.187x.020	.58/14.7	.200/5.08	.24/6.1	.125/3.18	.086/2.18	.25/6.4



NOTES:

1. MATERIAL: BRASS (.016/.41 THICK)
2. PLATING: ELECTROPLATE TIN
3. ALL DIMENSIONS IN INCHES/MM
WIRE SIZE: SEE CHART

ADDED MATERIAL NO FCC NO: ETC2006-0197 DRAWN BY: JAS/DEH CHKD: JLO/ASTRO APPR: RDEROSS REVISIONS: 2006/01/18 2006/01/18 2006/01/30	QUALITY SYMBOLS ▽=0 ▽=0	GENERAL TOLERANCES (UNLESS SPECIFIED)		DIMENSION STYLE IN/MM		SCALE 4:1	DESIGN UNITS INCH	THIRD ANGLE PROJECTION	
		4 PLACES ±.005 ±.005	mm INCH	DRAWN BY RCM	DATE 90/11/28	TITLE KRIMPTITE QUICK DISCONNECT			
		3 PLACES ±.005 ±.005		CHECKED BY RCM	DATE 90/11/28	MOLEX INCORPORATED			
		2 PLACES ±0.13 ±.01 1 PLACE ±0.25 ±.01 ANGULAR ±1/2°		APPROVED BY RDEROSS	DATE 90/11/28	MATERIAL NO. SD-19016-004 DOCUMENT NO. SHEET NO. 1 OF 1			
DRAFT WHERE APPLICABLE MUST REMAIN WITHIN DIMENSIONS		SEE CHART		THIS DRAWING CONTAINS INFORMATION THAT IS PROPRIETARY TO MOLEX INCORPORATED AND SHOULD NOT BE USED WITHOUT WRITTEN PERMISSION					